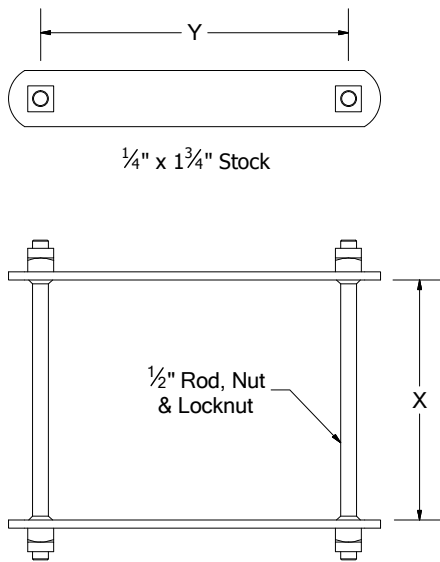


X-Brace Center Clamps

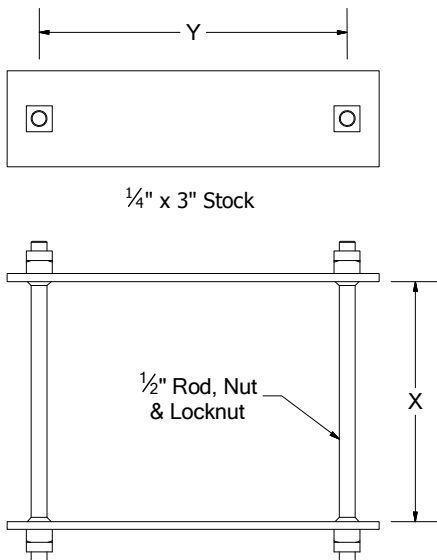
Center clamps are furnished as sets of 2 straps and 2 shoulder rods, shipped complete with nuts and locknuts. Center clamps function equally well when installed in either the vertical or horizontal plane. However, by mounting the center clamp straps in a horizontal plane, risk of damaging fallen conductor at the center phase is reduced.

41010 Series Center Clamps



Catalog Number	Rod Shoulder Width "X"	MHC Strap "Y"	Wood Section	Approx. Wt. Lbs.
41010-1	6 ³ / ₄ "	7 ⁵ / ₈ "	3 ³ / ₈ " x 4 ³ / ₈ "	3.7
41010-2	6 ³ / ₄ "	9"	3 ³ / ₈ " x 5 ³ / ₈ "	4.1
41010-3	7 ³ / ₈ "	13 ¹ / ₂ "	3 ¹ / ₁₆ " x 8 ¹ / ₂ "	5.1
41010-4	7 ¹ / ₂ "	9 ⁵ / ₈ "	3 ³ / ₄ " x 5 ³ / ₄ "	3.9
41010-5	7 ¹ / ₄ "	12"	3 ⁵ / ₈ " x 7 ¹ / ₂ "	4.9
41010-6	10 ¹ / ₄ "	14 ¹ / ₄ "	5 ¹ / ₈ " x 9"	5.7
41010-7	12"	11"	6" x 6 ³ / ₄ "	5.9
41010-8	10 ¹ / ₄ "	12"	5 ¹ / ₈ " x 7 ¹ / ₂ "	5.3
41010-9	7 ¹ / ₄ "	13 ¹ / ₂ "	3 ⁵ / ₈ " x 8 ¹ / ₂ "	5.1
41010-10	9"	11"	4 ¹ / ₂ " x 6 ³ / ₄ "	4.9
41010-11	10 ¹ / ₄ "	9 ⁷ / ₈ "	5 ¹ / ₈ " x 6"	4.8
41010-12	9 ¹ / ₄ "	9 ³ / ₈ "	4 ⁵ / ₈ " x 5 ⁵ / ₈ "	4.4
41010-13	11"	12"	5 ⁵ / ₈ " x 7 ¹ / ₂ "	5.2
41010-14	7 ¹ / ₂ "	12"	3 ³ / ₄ " x 7 ¹ / ₂ "	4.7

41010H Series Center Clamps



Catalog Number	Rod Shoulder Width "X"	MHC Strap "Y"	Wood Section	Approx. Wt. Lbs.
41010H-4	7 ¹ / ₂ "	9 ⁵ / ₈ "	3 ³ / ₄ " x 5 ³ / ₄ "	6.2
41010H-5	7 ¹ / ₄ "	12"	3 ⁵ / ₈ " x 7 ¹ / ₂ "	7.5
41010H-6	10 ¹ / ₄ "	14 ¹ / ₄ "	5 ¹ / ₈ " x 9"	8.8
41010H-7	12"	11"	6" x 6 ³ / ₄ "	8.0
41010H-8	10 ¹ / ₄ "	12"	5 ¹ / ₈ " x 7 ¹ / ₂ "	7.8
41010H-9	7 ¹ / ₄ "	13 ¹ / ₂ "	3 ⁵ / ₈ " x 8 ¹ / ₂ "	8.1
41010H-10	9"	11"	4 ¹ / ₂ " x 6 ³ / ₄ "	7.2
41010H-11	10 ¹ / ₄ "	9 ⁷ / ₈ "	5 ¹ / ₈ " x 6"	7.8
41010H-12	9 ¹ / ₄ "	9 ³ / ₈ "	4 ⁵ / ₈ " x 5 ⁵ / ₈ "	6.5
41010H-13	11"	12"	5 ⁵ / ₈ " x 7 ¹ / ₂ "	7.8
41010H-15	9 ¹ / ₂ "	9 ⁵ / ₈ "	4 ³ / ₄ " x 5 ³ / ₄ "	6.7
41010H-16	9"	9 ³ / ₈ "	4 ¹ / ₂ " x 5 ¹ / ₂ "	6.5
41010H-17	13 ¹ / ₂ "	12"	6 ³ / ₄ " x 7 ¹ / ₂ "	8.4

The 41010H Series Heavy Center Clamps have 1/4" x 3" straps and are used with BROOKS series 670, 671, 675, 677 and 678 Series X-Braces where heavier loading is imposed.