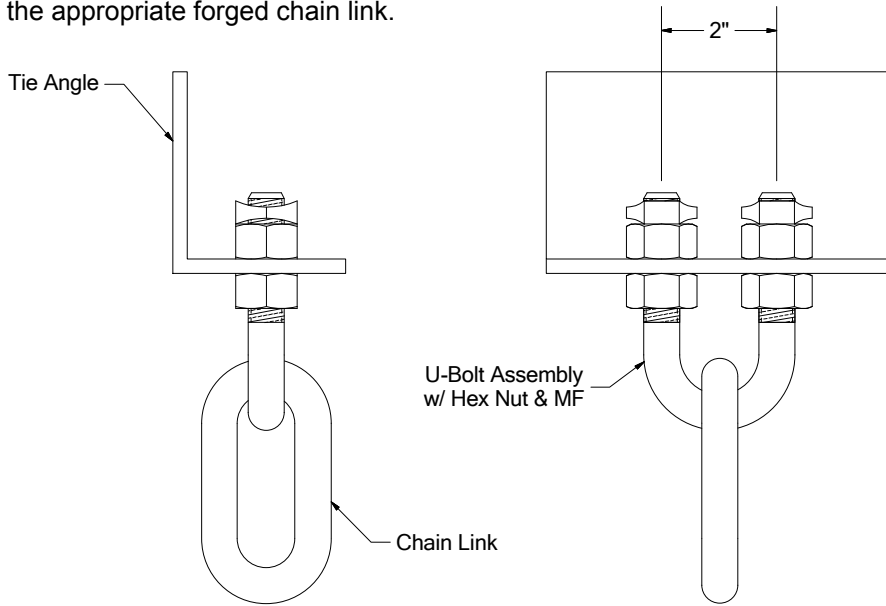
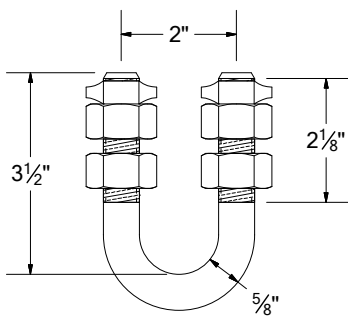


### U-Bolt & Chain Link Assemblies

The BROOKS 27400 Series U-Bolt and Chain Links are usually assembled on shield wire tie angles commonly used in H-Frame construction. The assemblies are furnished standard with 4 hex nuts and 2 locknuts along with the appropriate forged chain link.

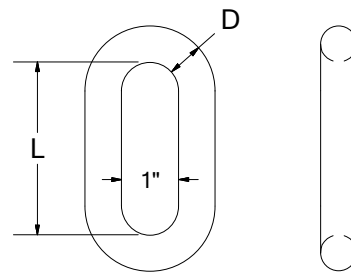


Catalog Assembly Number	U-Bolt Number	Chain Link Number	Approx. Wt. Lbs. Each
27400-A	27400	7751	1.5
27400-B	27400	7754	1.7



**5/8" U-Bolt & Nut Assembly**

Catalog Number	Approx. Wt. Lbs. Each
27400	0.9



**Forged Chain Links**

Catalog Number	Diameter "D"	Length "L"	Ultimate Strength	Approx. Wt. Lbs. Each
7751	1/2"	2 1/4"	30 Kips	0.5
7754	5/8"	3"	40 Kips	0.8