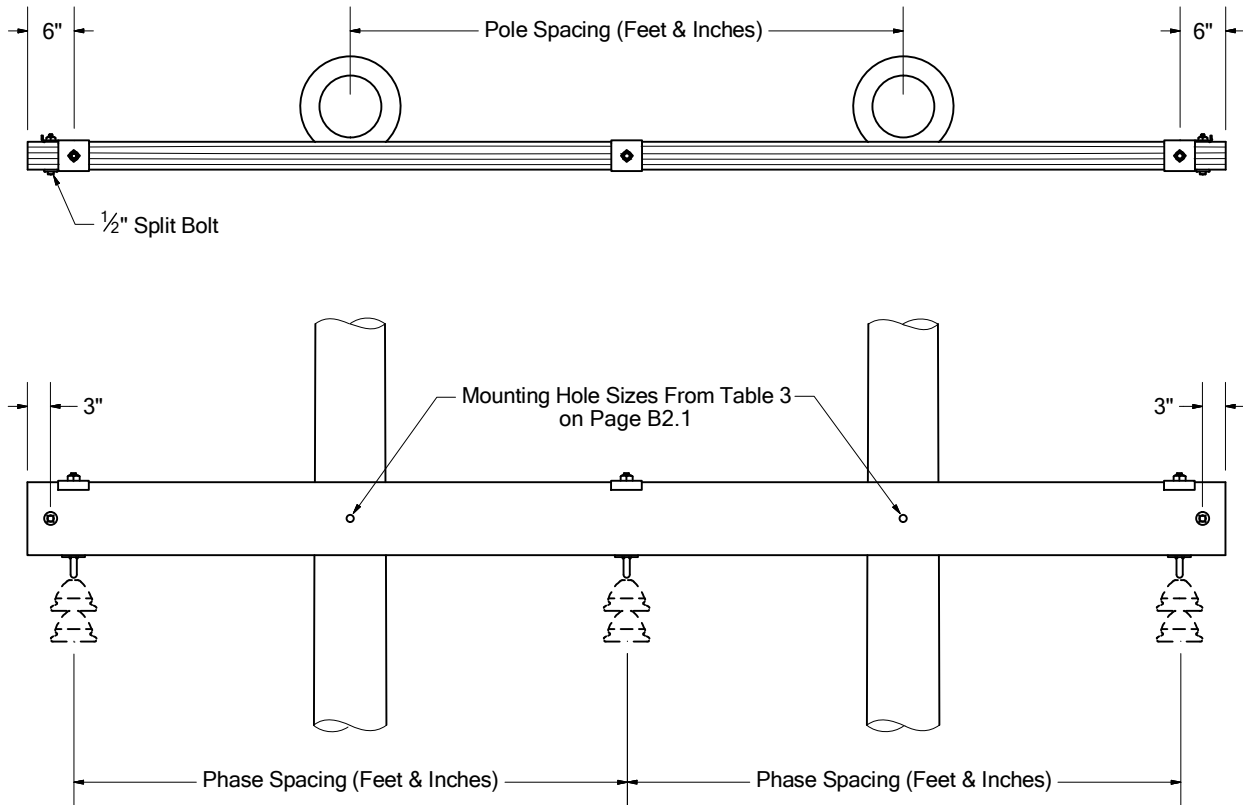
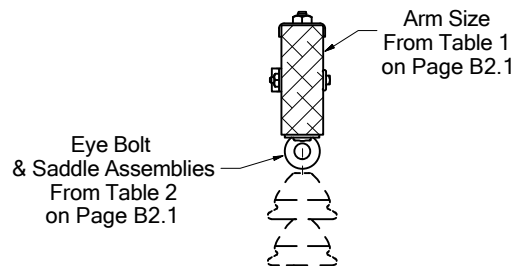


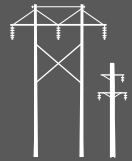
## Single Arm Tangent Crossarm Assemblies

The drawings shown below are intended to assist in ordering a variety of tangent crossarm assemblies, utilizing many common crossarm sizes and hardware components, shown in tables on the next page. BROOKS is not limited by the sizes or styles noted. For additional information regarding designs, strengths, applications, etc., or for assistance in ordering crossarm assemblies not addressed in this format, please contact the BROOKS Engineering Department.



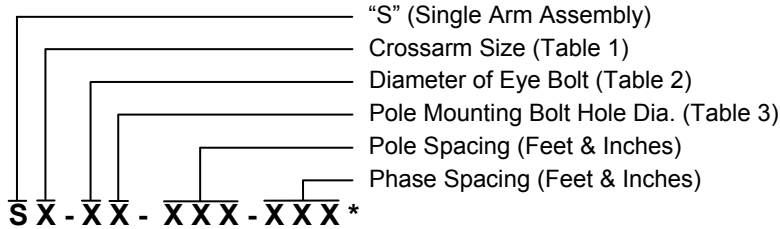
### End Detail





## Ordering Codes for Single Arm Tangent Crossarm Assemblies

### Ordering Information:



**Table 1**

**Common Sizes for Solid Sawn and/or Laminated Crossarms**

Solid Sawn Code	Size	Laminated Code	Size
A	2 <sup>5</sup> / <sub>8</sub> " x 9 <sup>1</sup> / <sub>2</sub> "	J	2 <sup>5</sup> / <sub>8</sub> " x 9 <sup>1</sup> / <sub>2</sub> "
B	3 <sup>5</sup> / <sub>8</sub> " x 7 <sup>1</sup> / <sub>2</sub> "	K	3 <sup>1</sup> / <sub>8</sub> " x 7 <sup>1</sup> / <sub>2</sub> "
C	3 <sup>5</sup> / <sub>8</sub> " x 8 <sup>1</sup> / <sub>2</sub> "	L	3 <sup>1</sup> / <sub>8</sub> " x 9"
D	3 <sup>5</sup> / <sub>8</sub> " x 9 <sup>1</sup> / <sub>2</sub> "	N	3 <sup>5</sup> / <sub>8</sub> " x 7 <sup>1</sup> / <sub>2</sub> "
E	3 <sup>5</sup> / <sub>8</sub> " x 11 <sup>1</sup> / <sub>2</sub> "	O	3 <sup>5</sup> / <sub>8</sub> " x 8 <sup>1</sup> / <sub>2</sub> "
F	5 <sup>1</sup> / <sub>2</sub> " x 7 <sup>1</sup> / <sub>2</sub> "	P	3 <sup>5</sup> / <sub>8</sub> " x 9 <sup>1</sup> / <sub>2</sub> "
G	5 <sup>5</sup> / <sub>8</sub> " x 7 <sup>1</sup> / <sub>2</sub> "	Q	3 <sup>5</sup> / <sub>8</sub> " x 11 <sup>1</sup> / <sub>2</sub> "
		R	5 <sup>1</sup> / <sub>8</sub> " x 7 <sup>1</sup> / <sub>2</sub> "
		S	5 <sup>1</sup> / <sub>8</sub> " x 9"
		T	5 <sup>1</sup> / <sub>8</sub> " x 10 <sup>1</sup> / <sub>2</sub> "
		U	5 <sup>1</sup> / <sub>2</sub> " x 7 <sup>1</sup> / <sub>2</sub> "
		V	5 <sup>5</sup> / <sub>8</sub> " x 7 <sup>1</sup> / <sub>2</sub> "
		W	6 <sup>3</sup> / <sub>4</sub> " x 7 <sup>1</sup> / <sub>2</sub> "
		X	5 <sup>3</sup> / <sub>4</sub> " x 7 <sup>3</sup> / <sub>4</sub> "
		Y	6" x 8"

**Table 2**

**Eye Bolt and Saddle Assemblies**

Code	Bolt
5	5 <sup>5</sup> / <sub>8</sub> "
6	3 <sup>3</sup> / <sub>4</sub> "
7	7 <sup>7</sup> / <sub>8</sub> "

**Table 3**

**Mounting Bolt Size**

Code	Bolt	Hole
6	3 <sup>3</sup> / <sub>4</sub> "	13 <sup>1</sup> / <sub>16</sub> "
7	7 <sup>7</sup> / <sub>8</sub> "	15 <sup>15</sup> / <sub>16</sub> "
8	1"	1 <sup>1</sup> / <sub>16</sub> "

**Example:** SN-67-126-126. Single Crossarm Assembly, 3<sup>5</sup>/<sub>8</sub>" x 7<sup>1</sup>/<sub>2</sub>" x 26'-0" glued laminated crossarm, 12'-6" C/C pole spacing, 12'-6" phase spacing. Assembled with (3) 3<sup>3</sup>/<sub>4</sub>" eye bolt and saddle assemblies. Drilled for 7<sup>7</sup>/<sub>8</sub>" arm mounting bolts.

\*To purchase a single arm, bored but less the assembly hardware, add a "W" to the assembly number ordering code.

*Pole mounting hardware is not furnished standard as part of the assembly and should be ordered separately.*