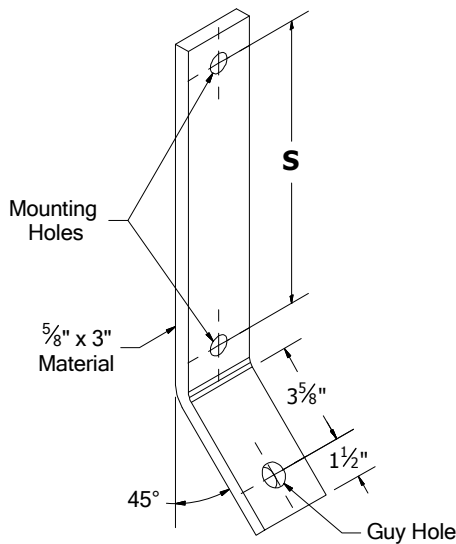


## Guy Plates

### 22714 Series Guy Plates

21,000 Lbs. Ultimate Strength ( $\frac{3}{4}$ " Mounting Bolts)  
 35,000 Lbs. Ultimate Strength ( $\frac{7}{8}$ " Mounting Bolts)

BROOKS 22714 Series Guy Plates offer the flexibility to satisfy a number of applications for guying at 45 degrees. From the tables listed below, a combination of hole sizes and bolt spacing may be selected to meet individual requirements.



**Table 1**

**Bolt Spacing "S"**

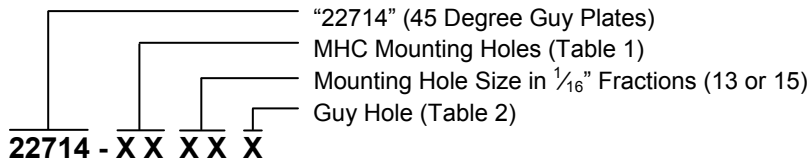
Code	MHC	Approx. Wt. Lbs. Each
06	6"	7
09	9"	9
12	12"	11
15	15"	13

**Table 2**

**Guy Hole**

Code	Diameter
A	$\frac{13}{16}$ "
B	$\frac{15}{16}$ "
C	$1\frac{1}{4}$ " Reamed

### 22714 Series Guy Plate Ordering Code



**Example:** 22714-1213B = 45 Degree Guy Plate with  $\frac{15}{16}$ " guy hole, and  $\frac{13}{16}$ " mounting holes spaced 12" apart.