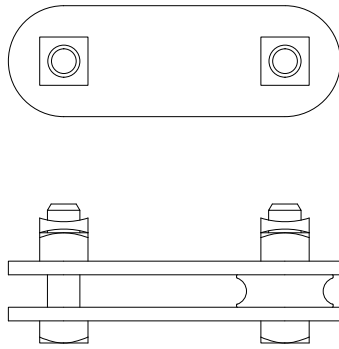


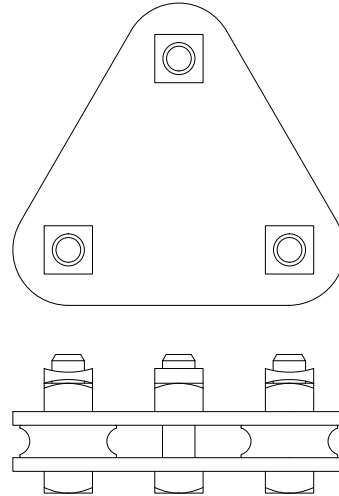
## Guy Links, Guy Rollers & Yoke Plates

Guy links and yoke plates are typically used in pairs for down guying and are connected to guy plates, dead end tees or pole bands. Components may be ordered individually or as complete assemblies as noted below. The catalog number represents individual units, not pairs. Other links, yoke plates and guy rollers are available.

### Guy Link & Yoke Plate Assemblies



**27261 Type 1**  
**Guy Link Assembly**  
**Single Guy**



**27262 Type 2**  
**Guy Link Assembly**  
**Double Guys**

Catalog Number	27261	27262
<b>Material List Per Assembly</b>		
22421 Link	2	
22523 Yoke Plate		2
R-26-7 Guy Roller	1	2
M7030-2, 7/8" x 3" Bolt	2	3
N7, 7/8" Square Nut	2	3
MF7, 7/8" MF Locknut	2	3
Approx. Wt. Lbs. Each	8.2	15.5