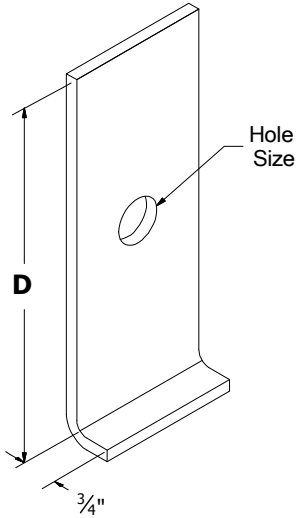
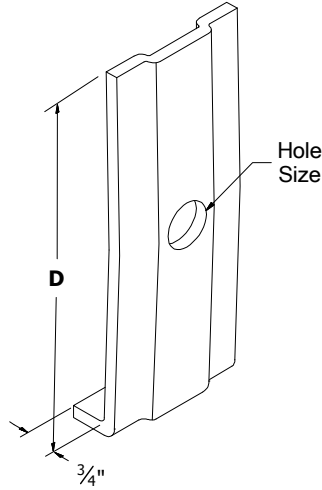


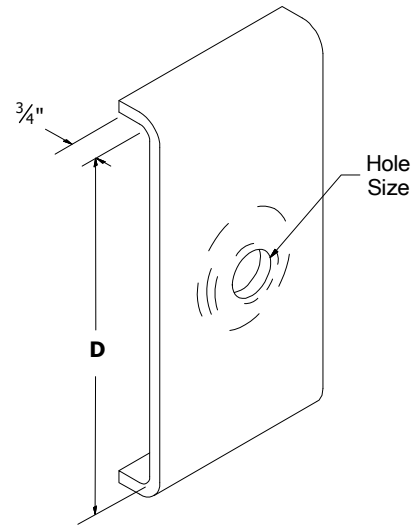
## Flat Gains & Reinforcing Plates



**6028 Series**  
Flat Gain Plate  
1/4" x 3" Stock

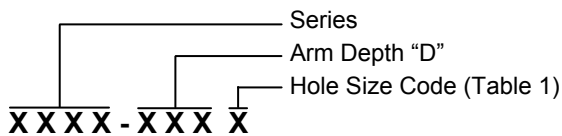


**6029 Series**  
Ribbed Tie Plate  
1/4" x 3" Stock



**6030 Series**  
Embossed Reinforcing Plate  
1/4" x 4" Stock

## Flat Gains & Reinforcing Plates Ordering Codes



**Example:** 6028-094B = Flat Gain Plate for a 9 1/2" crossarm with 15/16" mounting hole.

**Table 1**  
Hole Size

Code	Diameter
A	13/16"
B	15/16"
C	1 1/16"