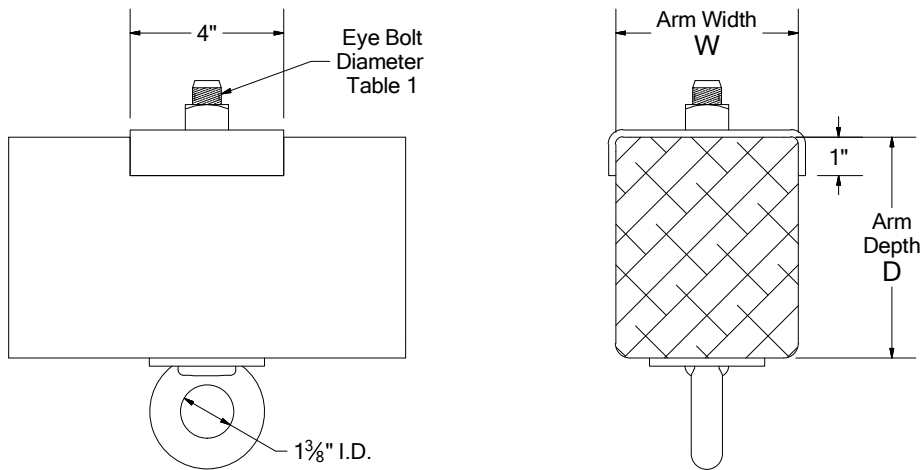
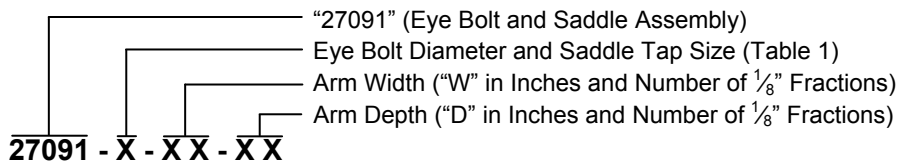


### Eye Bolt & Saddle Assemblies

Eye bolt and saddle assemblies are used to attach suspension insulators in single crossarm construction and are available for any crossarm size. The eye bolt is locked securely in place with a nut after threading through the tapped saddle which is made from  $\frac{3}{16}$ " x 4" steel. Assemblies are furnished complete and may be ordered by indicating the appropriate information in the ordering code noted below. The eye bolt length will be a minimum of  $1\frac{1}{4}$ " longer than the indicated crossarm depth.



### Eye Bolt & Saddle Assembly Ordering Code



**Example:** 27091-6-35-74 = Eye Bolt and Saddle Assembly for a  $3\frac{5}{8}$ " x  $7\frac{1}{2}$ " crossarm, with  $\frac{3}{4}$ " x 9" eyebolt.

**Table 1**

Eye Bolt Diameter	
Code	Diameter
5	$\frac{5}{8}$ "
6	$\frac{3}{4}$ "
7	$\frac{7}{8}$ "