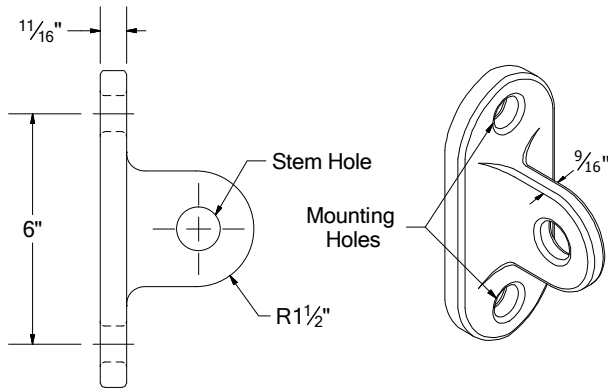


Dead End Tees

Forged Dead End Tees

60,000 Lbs. Ultimate Strength Rating

The BROOKS Forged Dead End Tees can be used to satisfy a multitude of applications in transmission framing, including dead ending conductors, down guying or as a component in making a pinned connection for tension braces and X-braces in H-Frame structures.



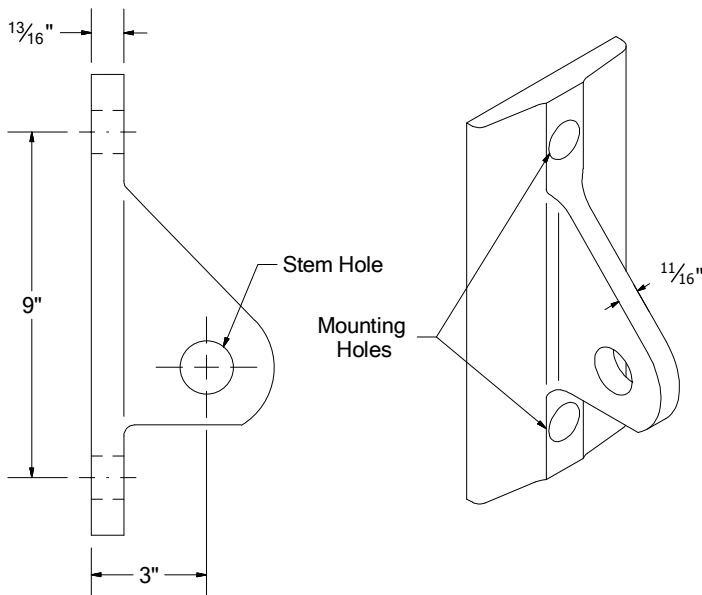
Catalog Number	Mounting Holes	Stem Hole	Approx. Wt. Lbs. Each
60253A	15/16"	15/16"	6.25
60253A-1	15/16"	1 1/8"	6.25
60253A-2	15/16"	1 1/4" Reamed	6.25
60253A-3	13/16"	1 1/4" Reamed	6.25
60255	1 1/16"	1 1/4"	6.25

Heavier tees are available upon request.

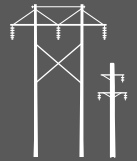
Heavy Duty Tee

41083 Series

70,000 Lbs. Ultimate Strength Rating



Catalog Number	Mounting Holes	Stem Hole	Approx. Wt. Lbs. Each
41083	1 1/8"	1 1/8"	15.5
41083A	15/16"	1 5/16"	15.5
41083B	1 3/8"	1 3/8"	15.5
41083C	1 1/8"	1 3/8"	15.5

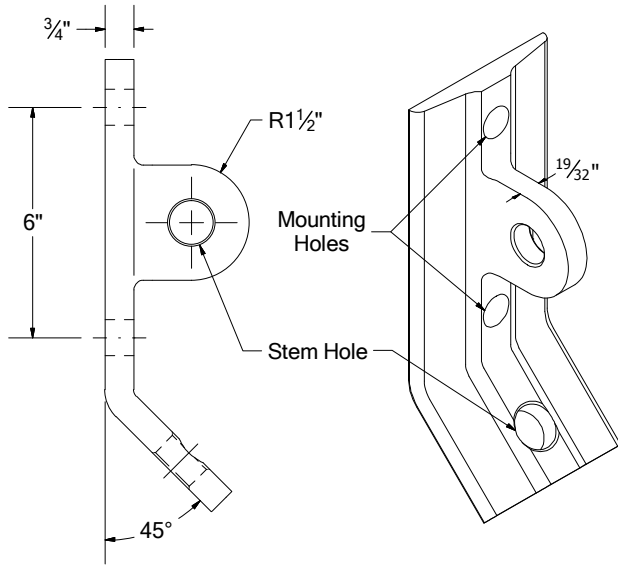


Guying Dead End Tees

60254 Series

42,000 Lbs. Ultimate Strength ($\frac{7}{8}$ " Bolts) Dead Ending
35,000 Lbs. Ultimate Strength ($\frac{7}{8}$ " Bolts) Guying Tab

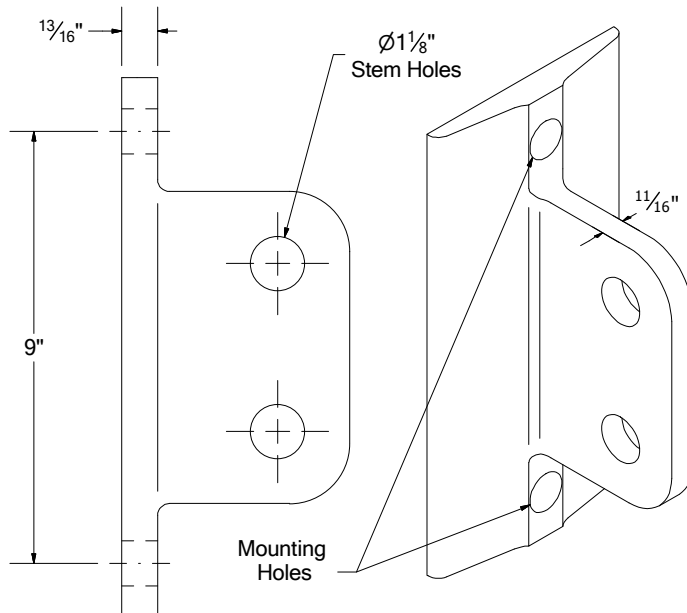
The 60254 Series Combination Tee provides an inexpensive and strong unit for dual purpose dead ending and guying applications which are subjected to heavy tensions in transmission construction. The tees are furnished with $\frac{1}{4}$ " reamed connection holes for use with either C hooks or clevis attachments.



Catalog Number	Mounting Holes	Stem Hole	Approx. Wt. Lbs. Each
60254	$\frac{15}{16}$ "	$1\frac{1}{4}$ " Reamed	9
60254-1	$\frac{13}{16}$ "	$1\frac{1}{4}$ " Reamed	9

41084 Series

35,000 Lbs. Ultimate Strength Per Attachment



Catalog Number	Mounting Holes	Stem Hole	Approx. Wt. Lbs. Each
41084	$1\frac{1}{8}$ "	$1\frac{1}{8}$ "	17.7
41084A	$\frac{15}{16}$ "	$1\frac{1}{8}$ "	17.7

Other similar varieties are also available.