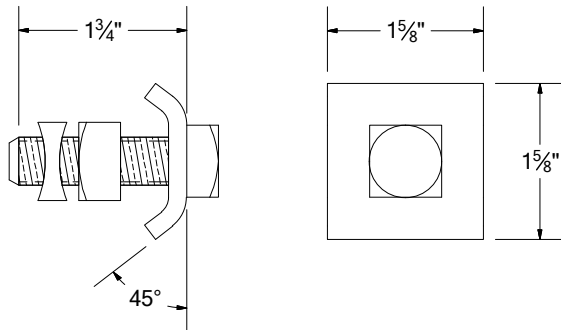


## Bonding Bolts & Clips

### 22066 Bonding Bolt Assembly

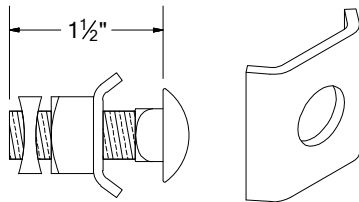
BROOKS 22066, 1/2" x 1 3/4" bonding bolt assembly is used to attach a ground wire to a steel surface where a 9/16" diameter clearance hole is available. This assembly, furnished complete as illustrated, is often used to bond ground wires to shield wire tire angles on H-frame structures.



Catalog Number	Approx. Wt. Lbs. Each
22066	0.35

### 325281 Series

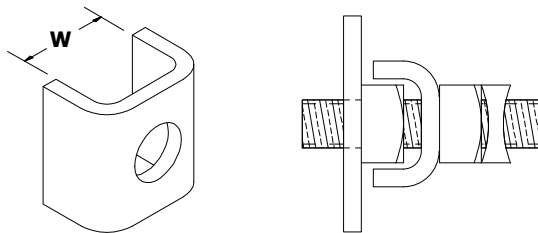
The 325281 Series Bonding Clips are also used where it is desirable to secure a ground wire to a metal surface. The clips may be ordered individually or as an assembly complete with a 1 1/2" carriage bolt, nut and locknut.



Clip Only Catalog Number	Approx. Wt. Lbs. Each	Bolt Size	Hole Size	Assembly Catalog Number	Approx. Wt. Lbs. Each
325281-3	0.11	3/8"	7/16"	325281-3A	0.22
325281-4	0.11	1/2"	9/16"	325281-4A	0.29
325281-5	0.10	5/8"	11/16"	325281-5A	0.42
325281-6	0.10	3/4"	13/16"		
325281-7	0.09	7/8"	15/16"		

### BC Series

The BC Series Bonding Clips provide a simple and inexpensive method of attaching a ground wire to the threaded end of a bolt. The catalog number is for the clip only and the nuts and locknuts required to secure the installation should be ordered separately.



Clip Only Catalog Number	Bolt Size	Hole Size	Width "W"	Approx. Wt. Lbs. Each
BC4	1/2"	9/16"	15/16"	0.13
BC5	5/8"	11/16"	1 1/8"	0.14
BC6	3/4"	13/16"	1 1/4"	0.22
BC7	7/8"	15/16"	1 1/2"	0.24
BC8	1"	1 1/16"	1 5/8"	0.25