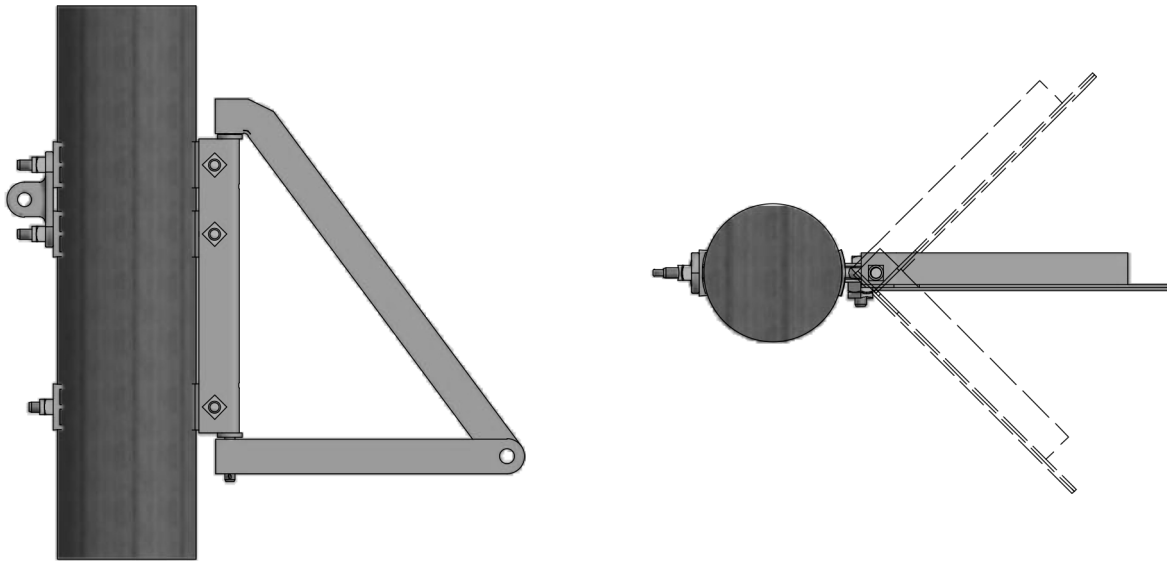


Swinging Angle Brackets

Swinging angle brackets are commonly used on line angle structures to maintain clearance between the crossarm and conductor during swing deflection of the insulator string. The swinging action also adds another degree of rotation thereby eliminating problems associated with unequal tensions.

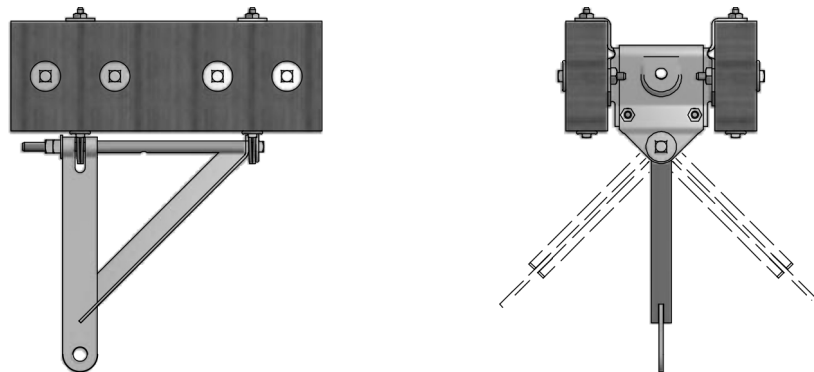
Typical Pole Application

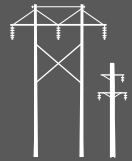
6300 Series Swinging Angle Bracket Illustrated



Typical Double Arm Application

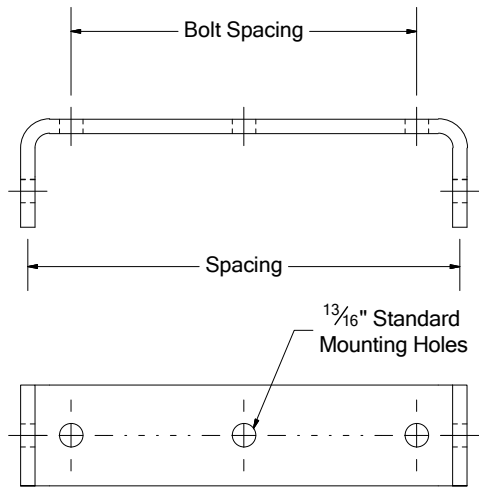
6200 Series Swinging Angle Bracket Illustrated





6200U Series Swinging Angle Brackets

The 6200 Series Bracket illustrated on the previous page is easily adaptable for single arm and pole mounting installations by incorporating the use of a U-Plate. All mounting bolts, washers and guy plates necessary to complete the installations must be ordered separately.



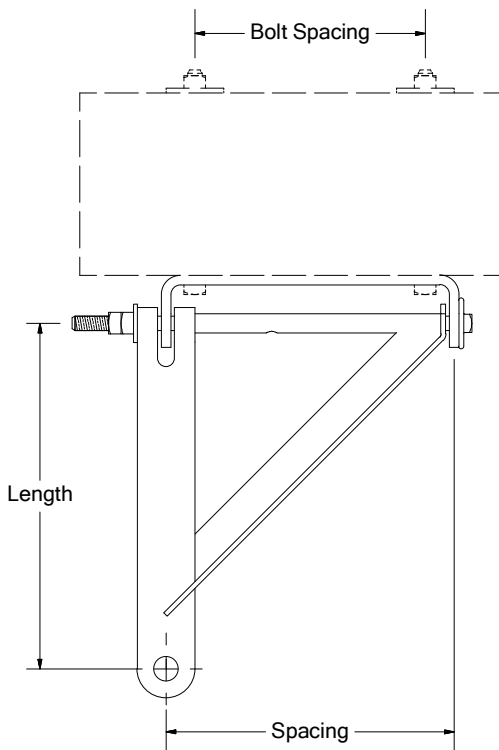
U-Plate Only

Catalog Number	Spacing	Bolt Spacing	Approx. Wt. Lbs. Each
6200U-1	9"	6"	6.5
6201U-1	12"	9"	8.0
6202U-1	15"	12"	9.5
6203U-1	18"	15"	11.0

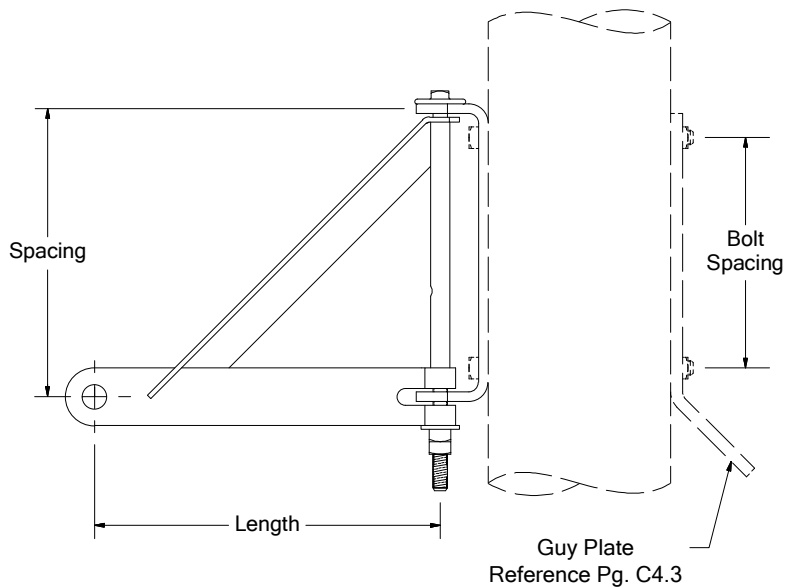
U-Plate & Bracket Assembly

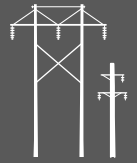
Catalog Number	Length	Spacing	Bolt Spacing	Approx. Wt. Lbs. Each
6200U	12"	9"	6"	19
6201U	15"	12"	9"	23
6202U	18"	15"	12"	28
6203U	21"	18"	15"	32

Typical Single Arm Application



Typical Pole Application

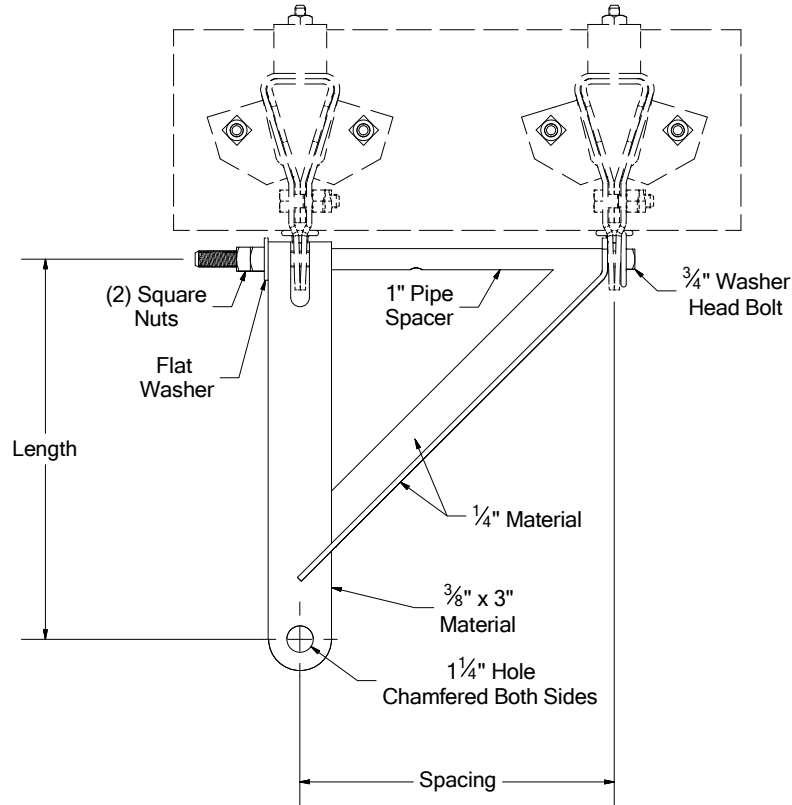




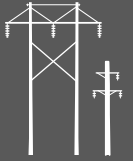
6200 Series Swinging Angle Brackets

BROOKS 6200 Series Swinging Angle Brackets are furnished complete with pin bolts and fasteners. The spacer fittings are not furnished as part of the assembly and must be ordered as separate items.

Typical Double Arm Application

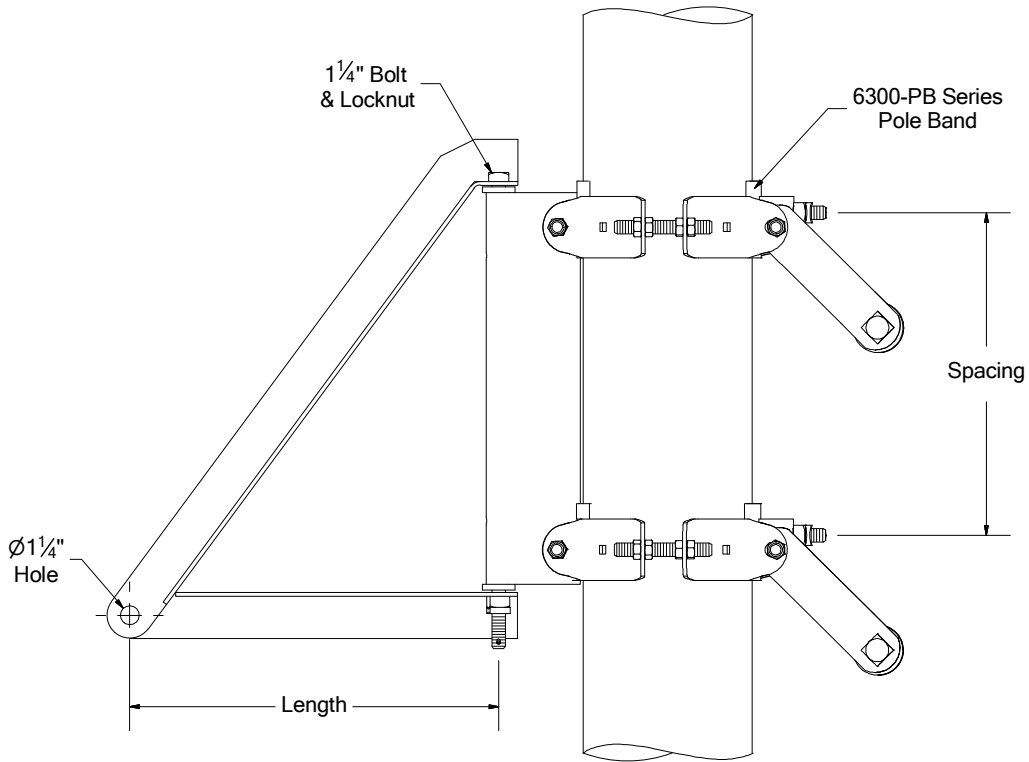


Catalog Number	Length	Spacing	Approx. Wt. Lbs. Each
6200	12"	9"	13
6201	15"	12"	15
6202	18"	15"	18
6203	21"	18"	21

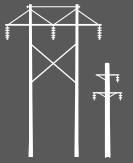


6250 Series Swinging Angle Brackets

When used with a similar version of BROOKS PB3107 Series Pole Band, the 6250 Series Swinging Angle Bracket helps the pole carry a larger load without splitting. Please specify the pole diameter at time of order.

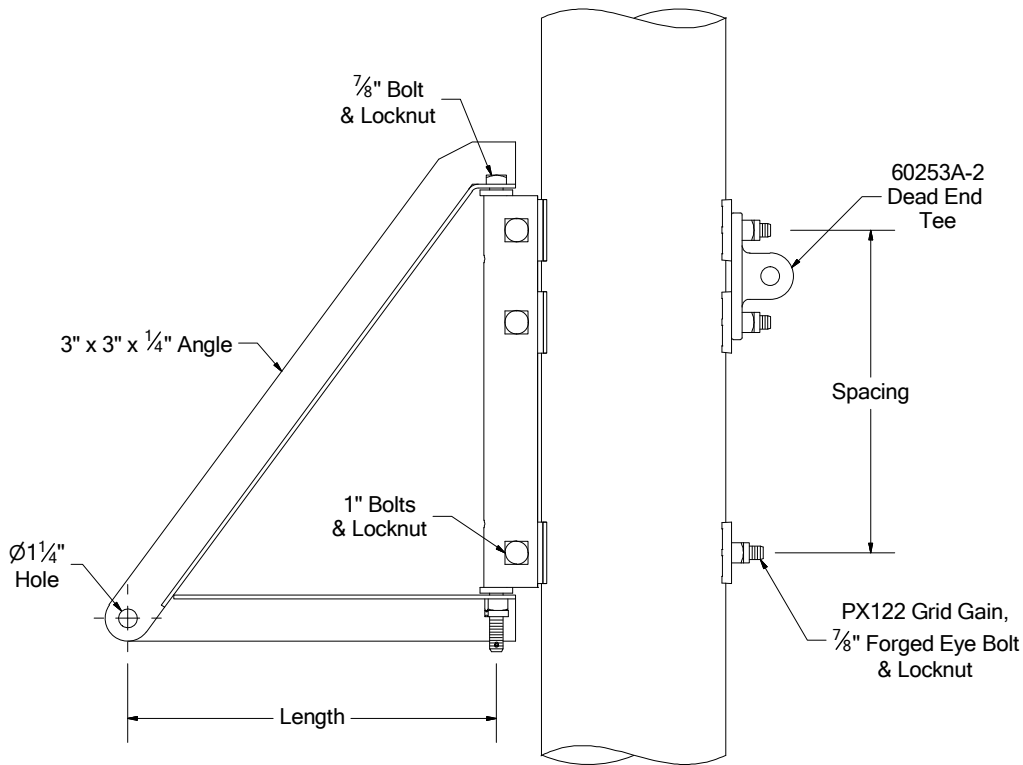


Catalog Number	Length "L"	Spacing "S"	Approx. Wt. Lbs. Each
6250	2'-0"	1'-9"	93
6251	3'-0"	2'-0"	102
6252	3'-6"	2'-6"	122
6253	4'-0"	2'-3"	121
6254	4'-9"	3'-9"	164



6300 Series Swinging Angle Brackets

BROOKS 6300 Series Swinging Angle Bracket is furnished complete with mounting bolts, a grid gain, and a dead end tee for guy attachment. Supplied standard with (1) 14" and (2) 16" forged eye bolts, unless otherwise specified.



Catalog Number	Length "L"	Spacing "S"	Approx. Wt. Lbs. Each
6300	2'-0"	1'-9"	71
6301	2'-6"	1'-9"	75
6302	2'-6"	2'-0"	77
6303	3'-0"	1'-9"	81
6304	3'-0"	2'-0"	86
6305	3'-0"	2'-3"	88
6306	3'-6"	2'-3"	94
6307	3'-6"	2'-6"	69
6308	4'-0"	2'-3"	102
6309	4'-0"	3'-0"	108
6310	4'-6"	3'-0"	116
6311	5'-0"	2'-3"	112