

Pole Bands

BROOKS PB Series Pole Bands are used for conductor, insulator and guy attachments.

Each pole band series is available in many sizes to accommodate a great range of pole diameters. Please see the tables on the following pages.

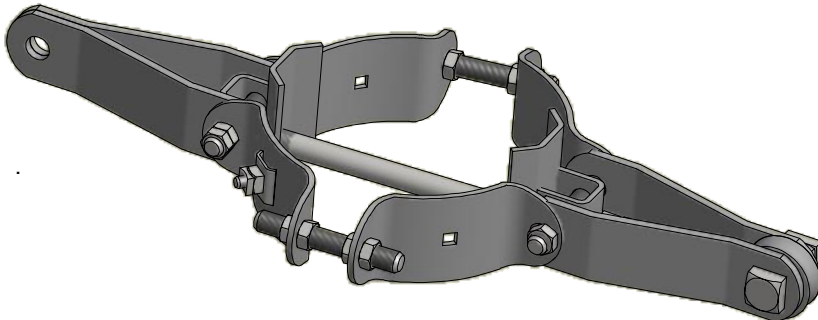
Connecting links, guy rollers and bonding clips are all sold separately.



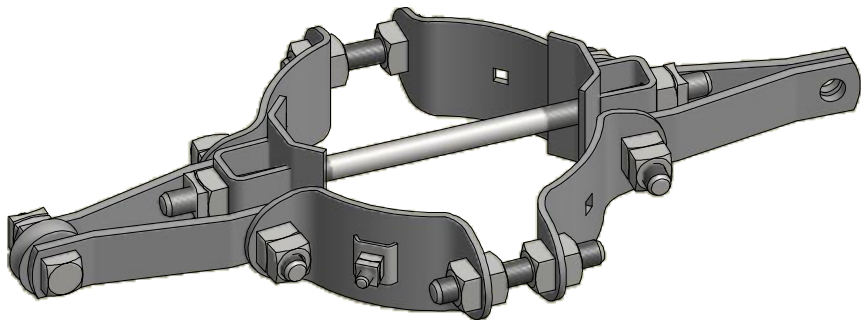
PB3103 Series



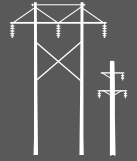
PB3105 Series



PB3107 Series

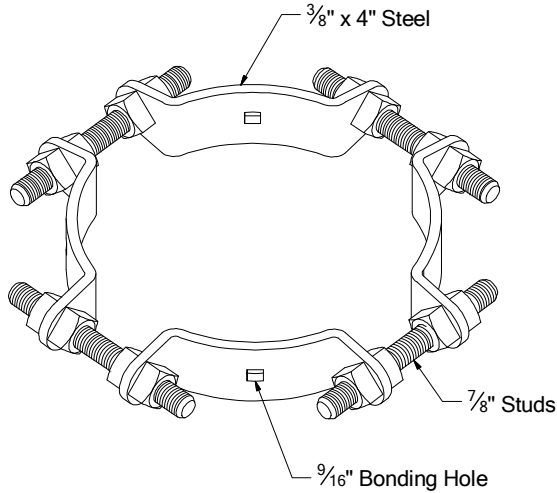


PB3108 Series



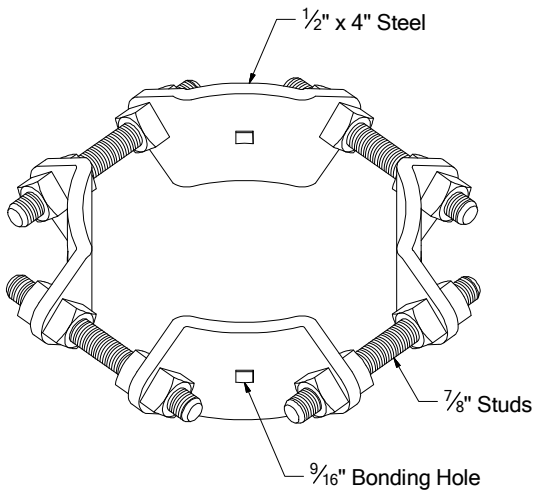
Medium Duty Pole Bands

PB3103 Series

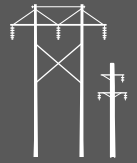


Catalog Number	Type	Pole Diameter	Approx. Wt. Lbs. Each
PB3103-5	4-Way 90°	7" - 10"	18
PB3103-6	4-Way 90°	9" - 12"	21
PB3103-7	4-Way 90°	11" - 14"	23
PB3103-8	4-Way 90°	13" - 16"	26

PB3105 Series

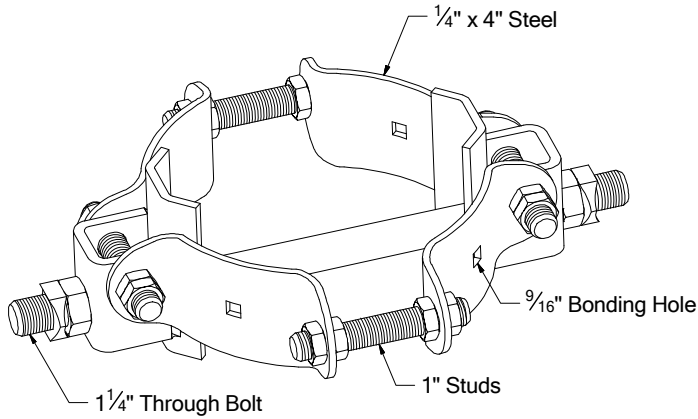


Catalog Number	Type	Pole Diameter	Approx. Wt. Lbs. Each
PB3105-5	4-Way 90°	7" - 10"	23
PB3105-6	4-Way 90°	9" - 12"	26
PB3105-7	4-Way 90°	11" - 14"	30
PB3105-8	4-Way 90°	13" - 16"	33



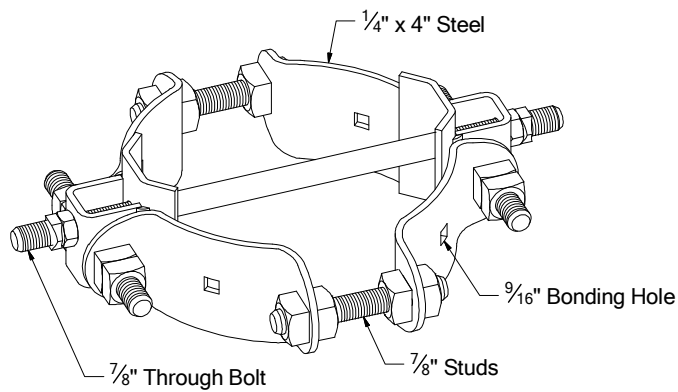
Heavy Duty Pole Bands

PB3107 Series



Catalog Number	Type	Pole Diameter	Approx. Wt. Lbs. Each
PB3107-5	2-Way 180°	8" - 10"	38
PB3107-6	2-Way 180°	10" - 12"	39
PB3107-7	2-Way 180°	12" - 14"	41
PB3107-8	2-Way 180°	14" - 16"	44

PB3108 Series



Catalog Number	Type	Pole Diameter	Approx. Wt. Lbs. Each
PB3108-5	2-Way 180°	7" - 10"	26
PB3108-6	2-Way 180°	9" - 12"	28
PB3108-7	2-Way 180°	11" - 14"	30
PB3108-8	2-Way 180°	13" - 16"	32