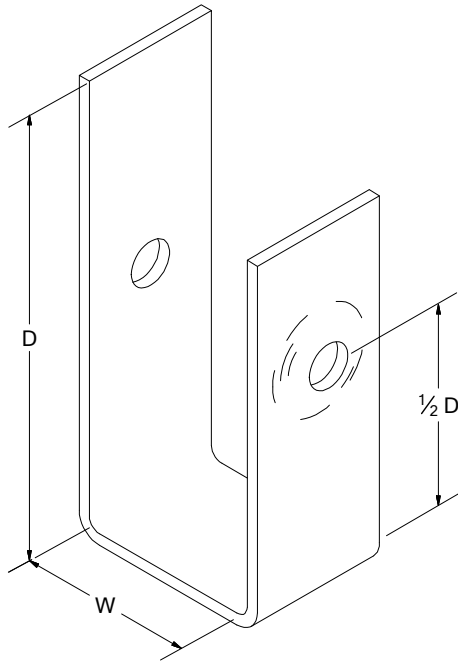
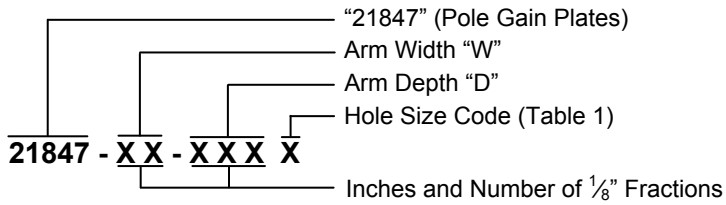


## Pole Gain Plates

### 21847 Series



## Pole Gain Plates Ordering Codes



**Table 1**

**Hole Size**

Code	Diameter
A	13/16"
B	15/16"
C	1 1/16"

**Example:** 21847-35-094B = Pole Gain Plate for 3 5/8" x 9 1/2" crossarm, with 15/16" mounting holes.